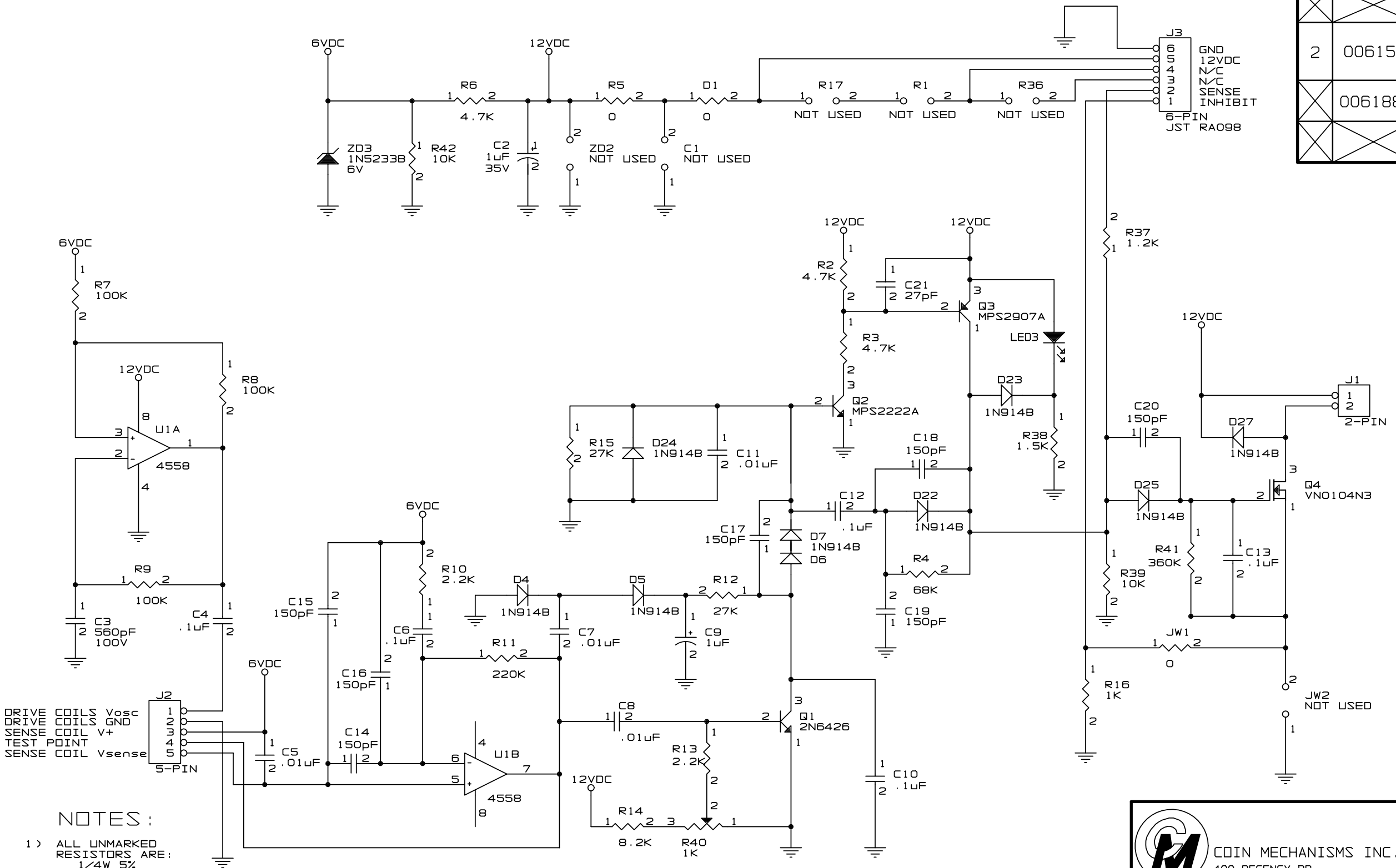


NO.	ECD NO.	REVISIONS	DATE/BY
0		NEW RELEASE-MODIFICATION OF 09270017	9/19/95 LST
1	004100	MADE FROM 08270034 REV9 ARTWORK	1/16/96 LST
		CORRECTED MISSING INFORMATION	1/21/96 LST
		CORRECT VOLTAGE OF ACCEPT COIL FROM 19V TO 12VDC	
2	006150	ADDED D6B, CHANGE R14 FROM 16K TO 8.2K, CHANGE Q1 FROM 2222 TO 2N6426, CHANGE U1 FROM 1458 TO 4558	6/15/00 BPP
	006188	ADDED D6B FOOTPRINT TO ARTWORK. CHANGE REF. DES. TO D7.	7/20/00 BPP
		CORRECT ORIENTATION OF Q3, AND VOLTAGE OF J1 PIN 1 FROM 19 TO 12	2/7/01 BPP



DRIVE COILS Vosc  
 DRIVE COILS GND  
 SENSE COIL V+  
 TEST POINT  
 SENSE COIL Vsense

- NOTES :
- 1) ALL UNMARKED RESISTORS ARE: 1/4W 5%
  - 2) FOR COINS 1.500" IN DIAMETER AND LARGER REMOVE D22

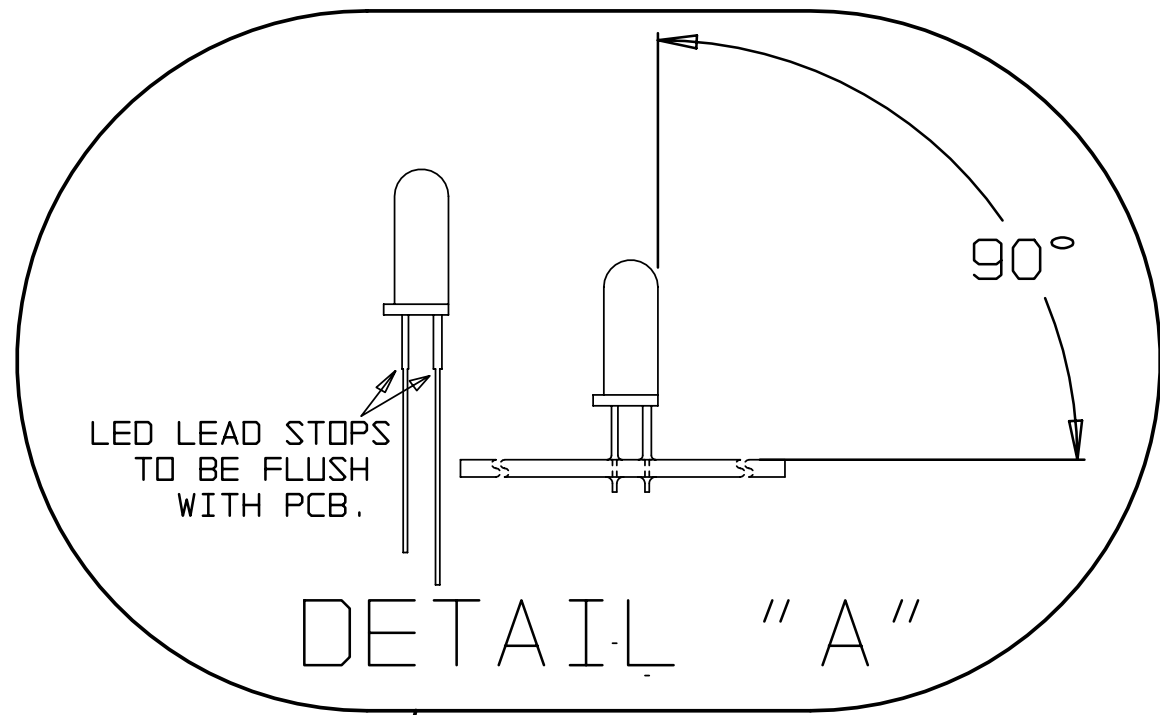
COIN MECHANISMS INC.  
 400 REGENCY DR.  
 GLENDALE HGTS, IL

This drawing is the property of and contains proprietary information of Coin Mechanisms, Inc. The drawing shall be returned upon request and is not to be copied or disclosed without written authorization and will not be used in any way detrimental to the interest of Coin Mechanisms, Inc.

TITLE PCB, CTRL, CC-16, 12VDC S12MS, INH, SC, NCTL			
DRAWN	BPP	DATE	6/15/00
CHKD		DATE	
APP		DATE	
DWG NO. 09270145			REV 2
COMP NO. XXXXXXXX	SHT 1 OF 1		

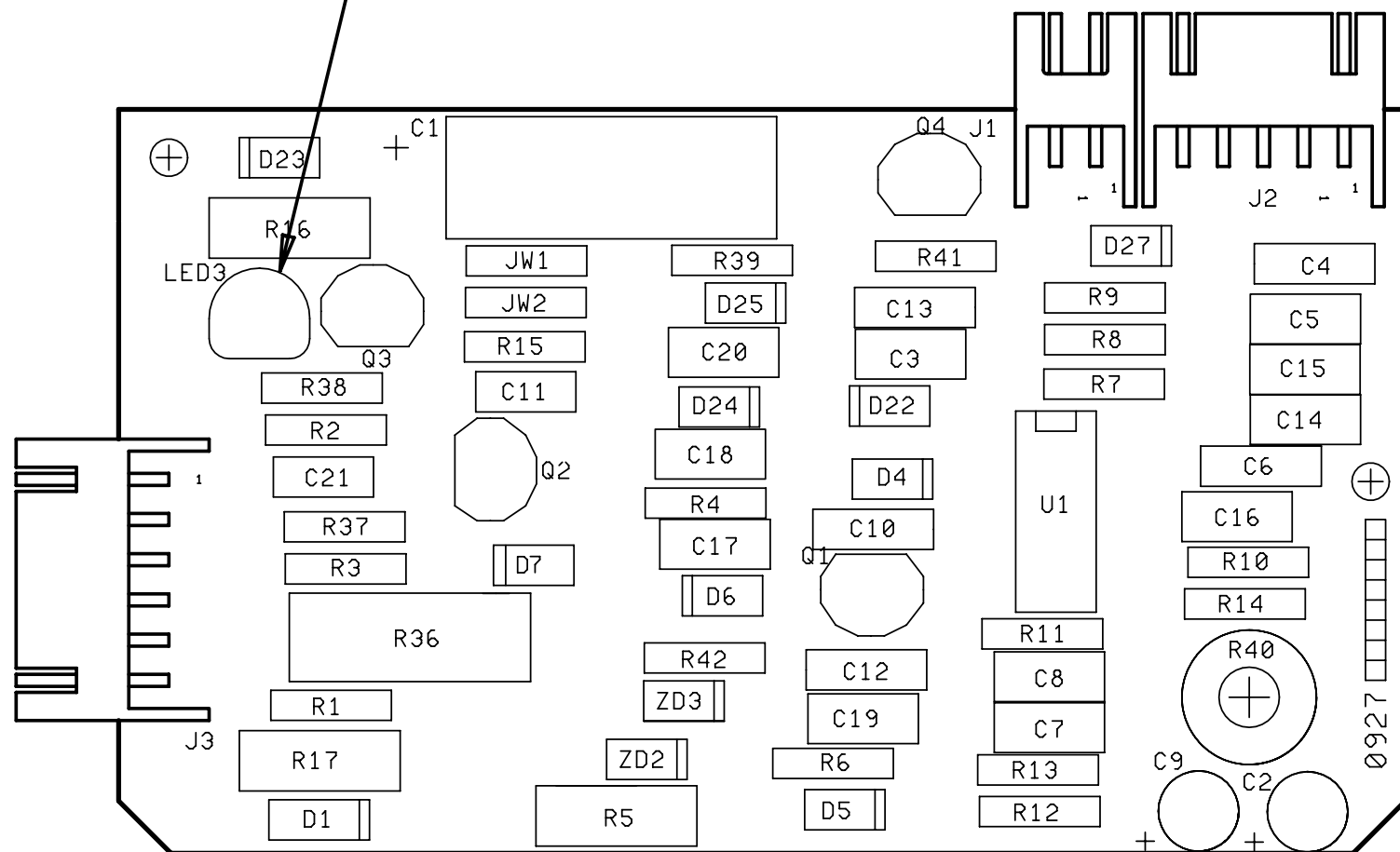
SIZE B SCALE X=X

NO.	ECO NO.	REVISIONS	DATE/BY
6188		SEE SHEET 1	7/20/00 BPP



NOTES:

1. REFER TO SCHEMATIC DIAGRAM AND PARTS LIST FOR REFERENCE DESIGNATIONS AND COMPONENT VALUES
2. MAXIMUM HEIGHT FOR ANY COMPONENT TO BE .35" EXCEPT FOR LED3.
3. MAXIMUM COMPONENT LEAD PROJECTION TO BE .085".
4. SOLDERING SHALL BE IN ACCORDANCE WITH IPC-S-815.
5. ASSEMBLIES TO BE CLEANED OF FLUX AND OTHER CONTAMINANTS AFTER SOLDERING.
6. LED3 TO BE VERTICAL TO PCB DURING SOLDERING PROCESS (SEE DETAIL A).
7. CONNECTORS TO BE FLUSH TO PCB DURING SOLDERING PROCESS.



<p>COIN MECHANISMS INC. 400 REGENCY DR. GLENDALE HGTS, IL</p>	TITLE		
	PCB, CTRL, CC-16, 12VDC, S12MS, INH, SC, NCTL		
DRAWN	BPP	DATE	6/15/00
CHKD		DATE	
APP		DATE	
DWG NO. 09270145			REV 2
SIZE B	SCALE X=X	COMP NO. XXXXXXXX	SHT 2 OF 3

This drawing is the property of and contains proprietary information of Coin Mechanisms, Inc. The drawing shall be returned upon request and is not to be copied or disclosed without written authorization and will not be used in any way detrimental to the interest of Coin Mechanisms, Inc.