

# 6100 SERIES CASH DRAWER SYSTEM



Model CD/1

- Large Capacity Cash Drawer
- Heavy Duty All Steel Construction
- Embossed Lock Guard
- Three Point Locking Cam System
- Durable Textured Paint Finish
- Illuminated Coin Denomination/Reject button (five colors available)

#### Options

- Domestic, Token or Foreign Mechanical Coin Mechanisms Available in Either Plastic or Metal (please specify)
- Electronic Mechanisms  
Coin Comparitor® Microcoin Multi-Coin
- Bill Validator Opening
- Smaller 5" Cash Drawer
- Coin Lockout Coil (designate voltage)
- Custom Color Paint
- Counter, 6 Digit Non Resettable (designate voltage)



Model CD/2



Model CD/MC



**COIN MECHANISMS INC.**

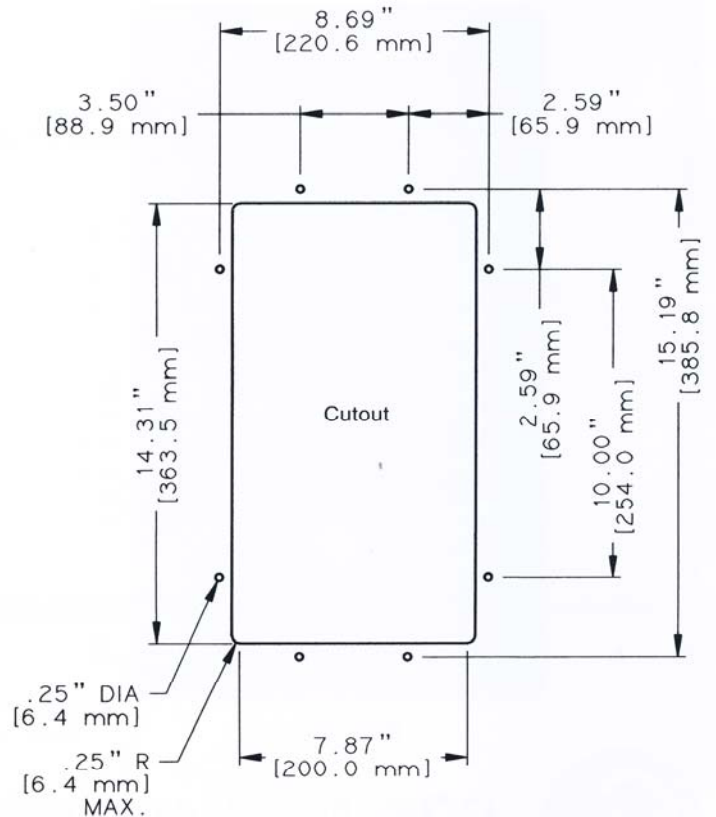
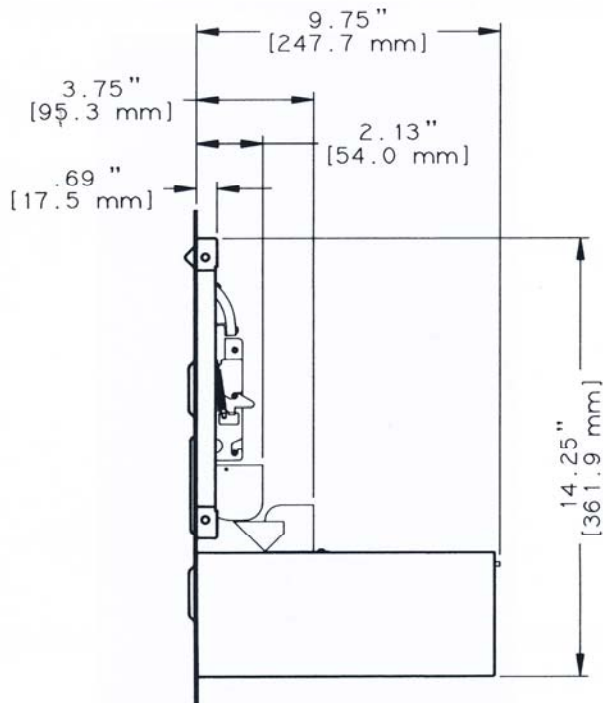
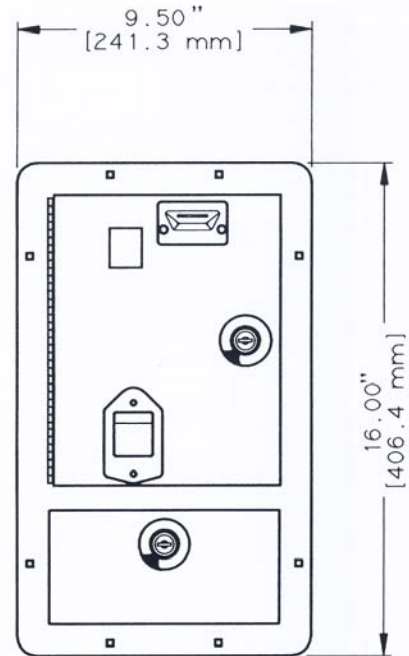
*Where the Money Meets the Machine*

P.O. Box 5128, 400 Regency Drive, Glendale Heights, IL 60139-5128  
630/924-7070 • 1-800/323-6498 (In USA & Canada) • FAX 630/924-7088  
Visit us on the world wide web at <http://www.coinmech.com>



## MODEL CD/1

- Single slot door design
- Low profile channel assembly
- Attractive chrome coin return cup
- Stainless steel coin entry slot
- Standard #10-32 carriage bolt mounting holes



COIN MECHANISMS INC.