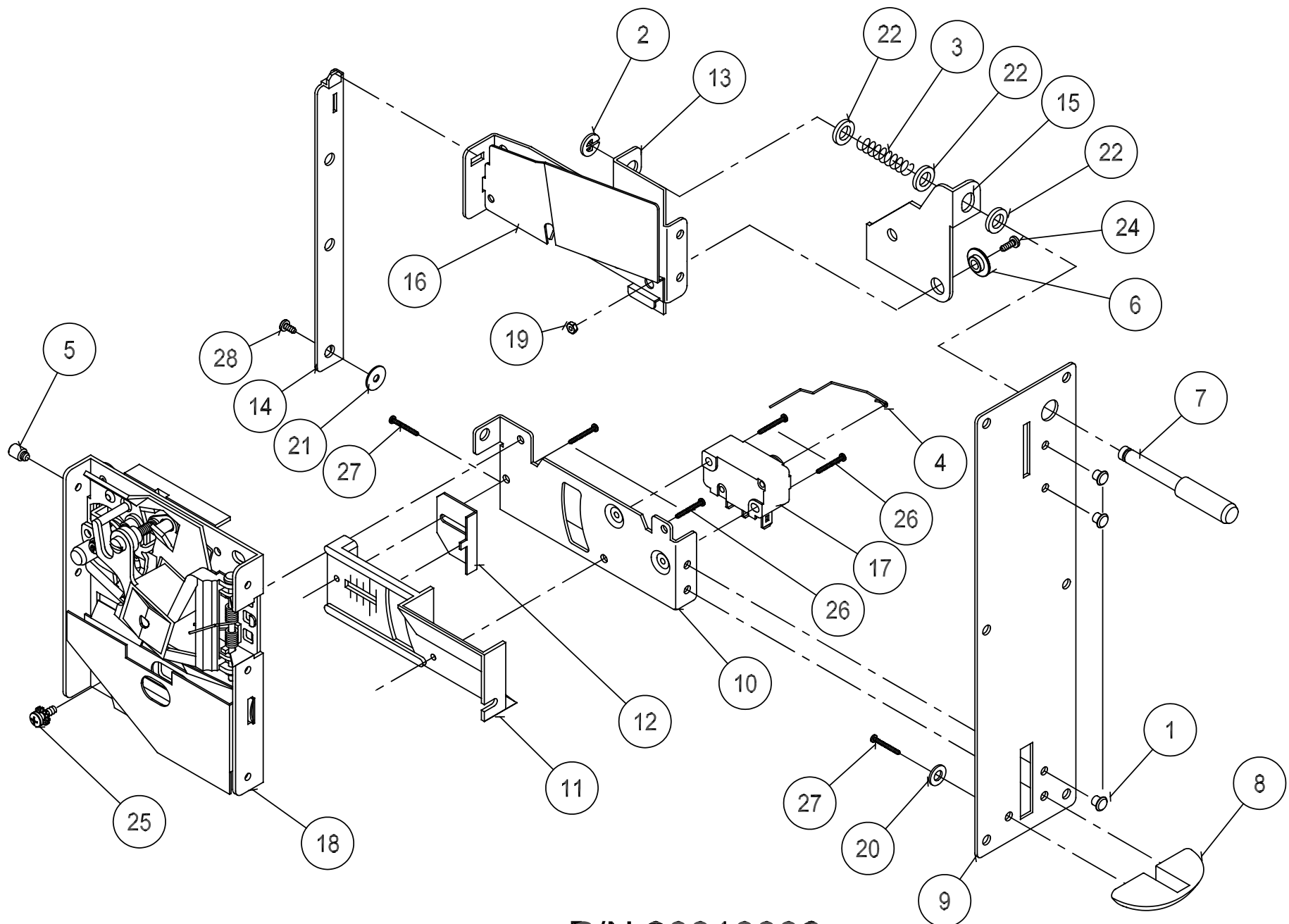


9000 SERIES 2" SINGLE FACEPLATE



P/N 90010006

MATERIAL COLUMN							
ITEM	P/N	QTY	MATL' DESCRIPTION	ITEM	P/N	QTY	MATL' DESCRIPTION
1	04050005	3	RIVET, TUBULAR, 1/8 X 5/32	15	04900021-03	1	LEVER, REJECT
2	04050010	1	RETAINER, "C" WASHER, .203 DIA. PIN	16	04900022-51	1	CHUTE, ENTRY, FRONT
3	04050013	1	SPRING, PLUNGER RETURN	17	08290009	1	SW, COIN, BD, .187 TERM
4	04050073	1	WIRE, SW, 25/50C, 2" FP, 8000/9000	18	10130004	1	MECH, USA, 25C, NS
5	04060005-01	1	STUD, #6MTG, .7G	19	400-6	1	NUT, 6-32 X 1/4 HEX NUT
6	04060033-01	1	BUSHING, PIVOT, REJECT LEVER	20	600-6	1	WASHER, FLAT, 5/16 X 1/32 #6
7	04060034-11	1	PLUNGER, REJECT, FP, SS	21	606-110 N	1	WASHER, NYLON, .110 ID X .020 THICK
8	04900003	1	RECEPTACLE, COIN, RETURN	22	660-10	3	WASHER, .220 X .374 X .062 NYLON
9	04900004	1	FP, 2", MECH, 90 ENTRY, REJECT, 1.000 X .085 SLOT	23	P-104-4-10	2	SCREW, 4-40 X 5/8, PHIL, PH, MS
10	04900016-03	1	BRKT, LOWER MTG, ADJ CHUTE	24	P-104-6-7	1	SCREW, 6-32 X 7/16, PHIL, PH, MS
11	04900017	1	CHUTE, LWR COIN	25	P-166-6-4	1	SCREW, 6-32 X 1/4 PHIL, PH, W/SEMS
12	04900018-51	1	BRKT, ADJ CHUTE	26	P-221-4-5	2	SCREW, 4 X 5/16, PHIL, TYPE 45, PLASTITE
13	04900019-00	1	CHUTE, ENTRY, 10°, SS	27	P-221-4-8	2	SCREW, 4 X 1/2, PHIL, TYPE 45, PLASTITE
14	04900020-03	1	BRKT, MECH RETAINING	28	PSQ-216-6-4	1	SCREW, 6-32 X 1/4, PHIL/SQUARE, PH

EC07443 - 9/09



COIN MECHANISMS INC.

P.O. Box 5128, Glendale Heights, IL 60139-5128*1-800/323-6498*FAX 630/924-7088
E-MAIL coinmech@coinmech.com VISIT OUR WEBSITE AT www.coinmech.com