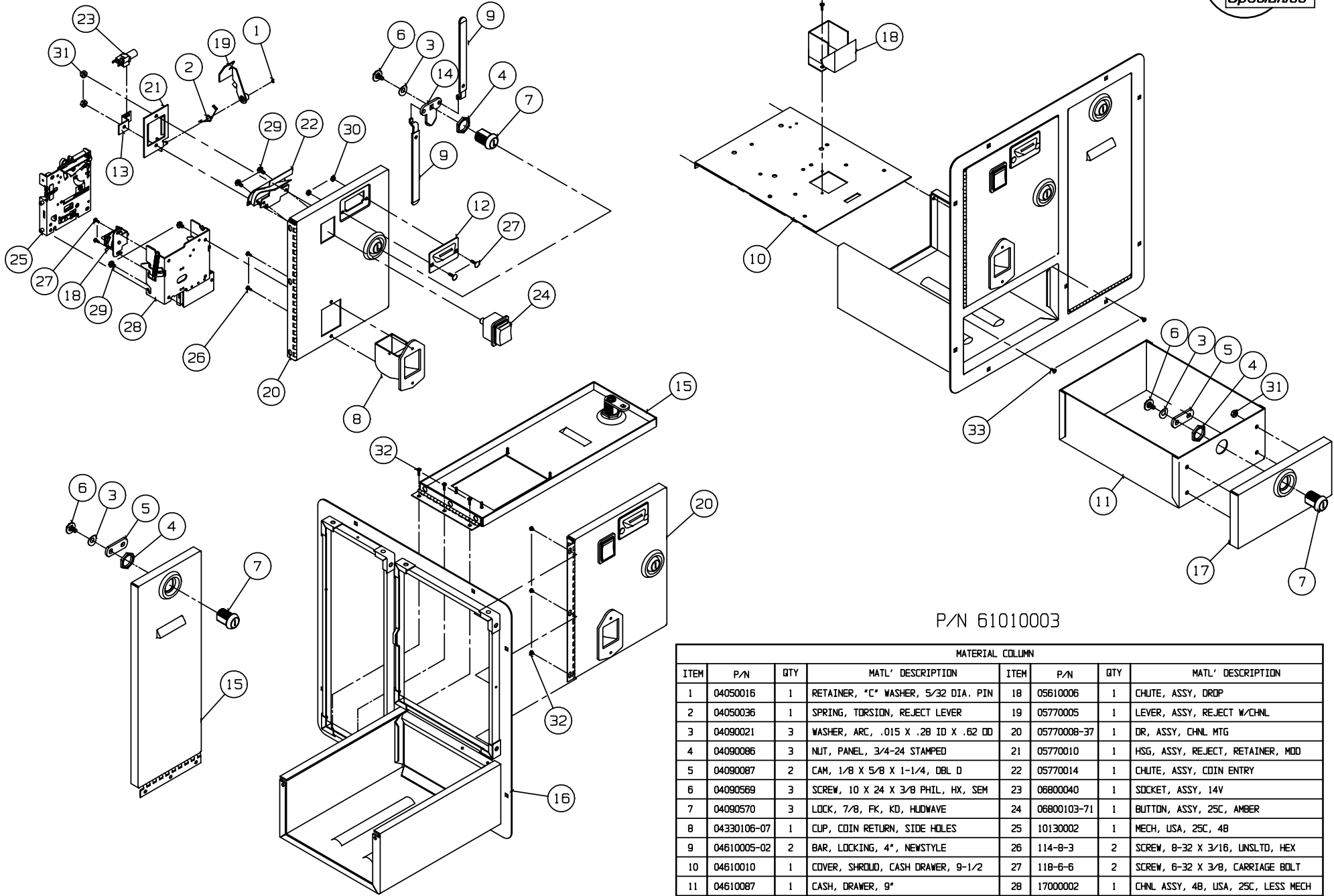


6100 SERIES TRI-DOOR SYSTEM



P/N 6101003

MATERIAL COLUMN							
ITEM	P/N	QTY	MATL' DESCRIPTION	ITEM	P/N	QTY	MATL' DESCRIPTION
1	04050016	1	RETAINER, *C* WASHER, 5/32 DIA. PIN	18	05610006	1	CHUTE, ASSY, DROP
2	04050036	1	SPRING, TORSION, REJECT LEVER	19	05770005	1	LEVER, ASSY, REJECT W/CHNL
3	04090021	3	WASHER, ARC, .015 X .28 ID X .62 OD	20	05770008-37	1	DR, ASSY, CHNL MTG
4	04090086	3	NUT, PANEL, 3/4-24 STAMPED	21	05770010	1	HSG, ASSY, REJECT, RETAINER, MOD
5	04090087	2	CAM, 1/8 X 5/8 X 1-1/4, DBL D	22	05770014	1	CHUTE, ASSY, COIN ENTRY
6	04090569	3	SCREW, 10 X 24 X 3/8 PHIL, HX, SEM	23	06800040	1	SOCKET, ASSY, 14V
7	04090570	3	LOCK, 7/8, FK, KD, HUDWAVE	24	06800103-71	1	BUTTON, ASSY, 25C, AMBER
8	04330106-07	1	CLIP, COIN RETURN, SIDE HOLES	25	10130002	1	MECH, USA, 25C, 4B
9	04610005-02	2	BAR, LOCKING, 4", NEWSTYLE	26	114-8-3	2	SCREW, 8-32 X 3/16, LNSLTD, HEX
10	04610010	1	COVER, SHROUD, CASH DRAWER, 9-1/2	27	118-6-6	2	SCREW, 6-32 X 3/8, CARRIAGE BOLT
11	04610087	1	CASH, DRAWER, 9"	28	17000002	1	CHNL ASSY, 4B, USA, 25C, LESS MECH
12	047700002-1	1	INS, COIN, TKN, 1"	29	209-8-4	4	SCREW, 8-32 X 1/4, HEX, W/HD ROLDK
13	04770018-01	1	BRKT, LMP MTG	30	400-6	2	NUT, 6-32 X 1/4 HEX NUT
14	04770042-01	1	CAM, 3PT, LOCKING	31	410-8	6	NUT, 8-32 FINISHED HEX NUT
15	05600001-37	1	DR, ASSY, TKT, 4STLDS	32	P-108-6-2-1/2	6	SCREW, 6-32 X 5/32, PHIL, BIND HEAD
16	05610003-37	1	FRAME, ASSY, W/SHROUD	33	PSG-216-6-4	4	SCREW, 6-32 X 1/4, PHIL/SB
17	05610004-37	1	FRONT, ASSY, CASH DRAWER				

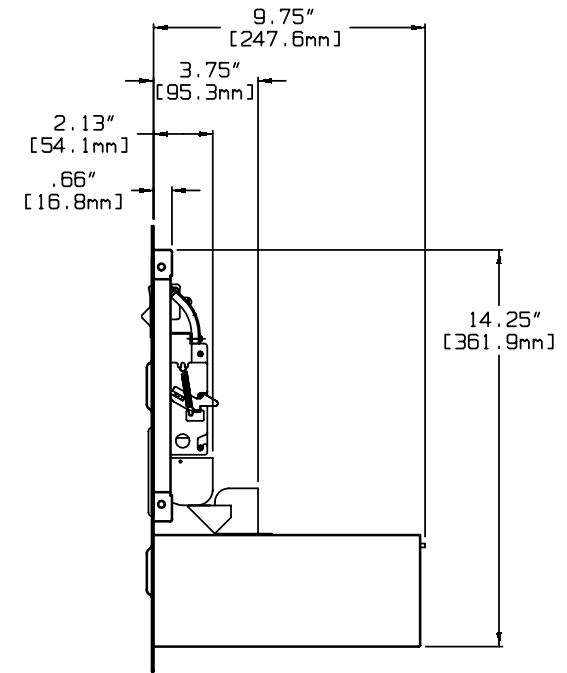
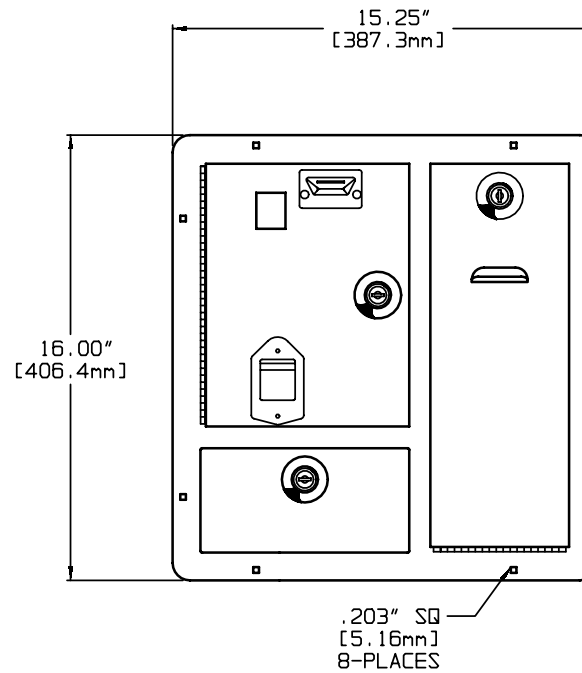
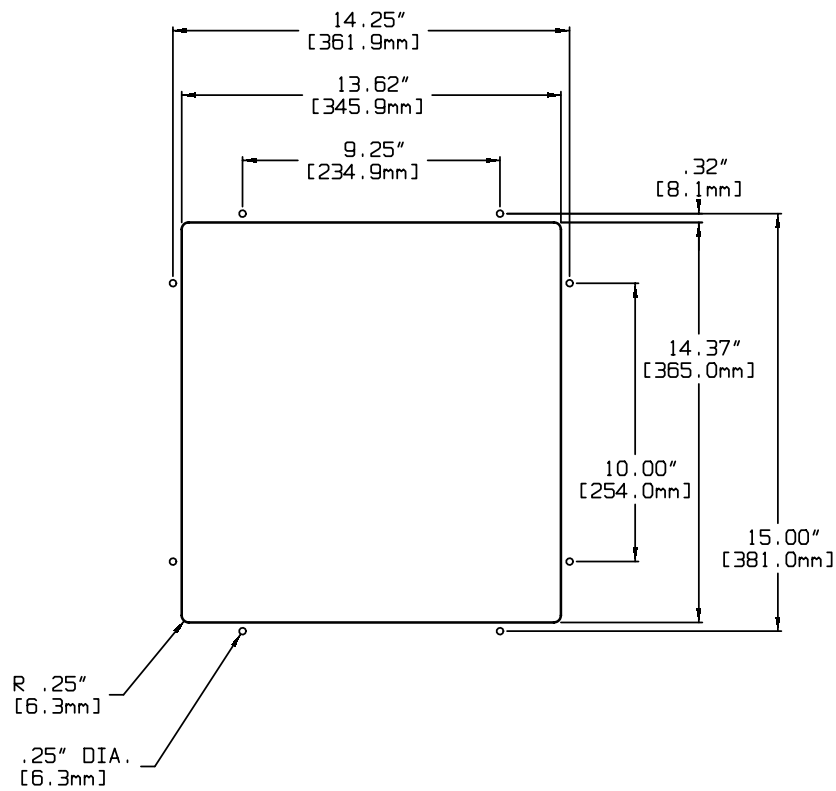


COIN MECHANISMS INC.

P.O. Box 5128, Glendale Heights, IL 60139-5128 • 1-800/323-6498 • FAX 630/924-7088
E-MAIL coinmech@coinmech.com VISIT OUR WEBSITE AT www.coinmech.com

6100 SERIES TRI-DOOR DIMENSIONS

DWG. NO. 09300101



COIN MECHANISMS INC.

P.O. Box 5128, Glendale Heights, IL 60139-5128*1-800/323-6498*FAX 630/924-7088
E-MAIL coinmech@coinmech.com VISIT OUR WEBSITE AT www.coinmech.com